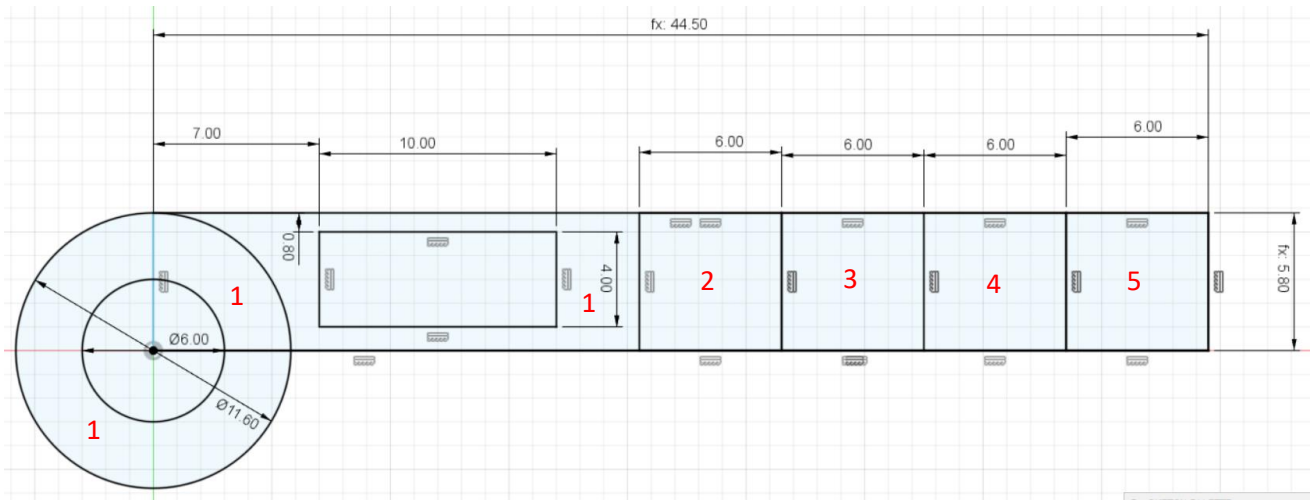


Mover

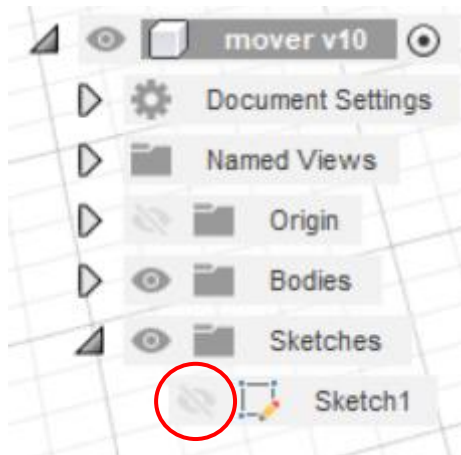
1. Create a new design file by pressing the plus sign. (You can close the middle part **IF YOU SAVED IT**).
2. Create a sketch with squares and circles such as in the figure below. (don't mind the red numbers yet)



3. Extrude the faces numbered **1** by **5 mm** up.

After the extrusion it is possible your sketch is not visible anymore.

Set it to visible again selecting the eye before "sketch1" in the left. Encircled red in the figure below.

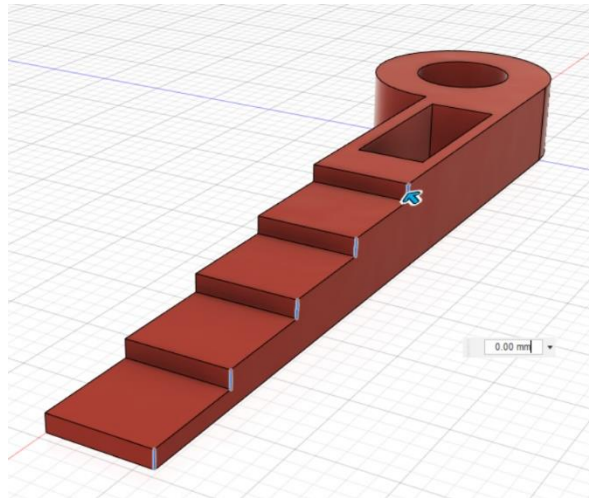


4. Extrude the following red numbers with the following heights.

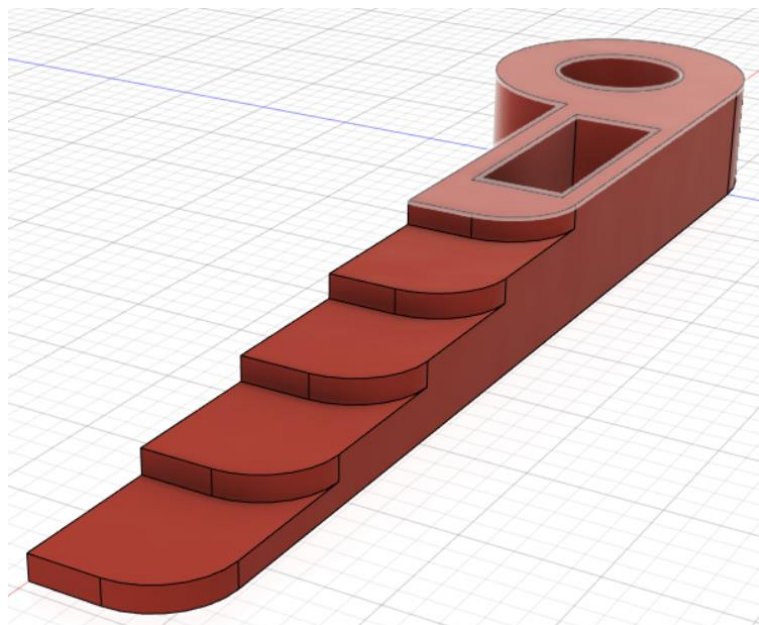
2	4 mm
3	3 mm
4	2 mm
5	1 mm

Save your drawing (Ctrl + S) and type in your progress since last time

5. Place fillets on the 5 corners of the mover, **3 mm** see figure below.



Congratulations you are done with your mover.
It should look like this (don't mind the colour).



Save your drawing (Ctrl + S) and type in your progress since last time